

Daewoo Espero English Service Manual

1990-1998 Daewoo Espero Service Repair
Factory Manual INSTANT DOWNLOAD (1990
1991 1992 1993 1994 1995 1996 1997 1998)

INSTANT DOWNLOAD



1990-1998 Daewoo Espero Service Repair Factory Manual INSTANT
DOWNLOAD

1990-1998 Daewoo Espero Service Repair Factory Manual is an
electronic version of the best original maintenance manual.
Compared to the electronic version and paper version, there is a
great advantage. It can zoom in anywhere on your computer, so you
can see it clearly. Your 1990-1998 Daewoo Espero parts correspond

File Name: Daewoo Espero English Service Manual.pdf

Size: 2242 KB

Type: PDF, ePub, eBook

Category: Book

Uploaded: 5 May 2019, 15:56 PM

Rating: 4.6/5 from 849 votes.

Status: AVAILABLE

Last checked: 3 Minutes ago!

In order to read or download Daewoo Espero English Service Manual ebook, you need to create a FREE account.

[Download Now!](#)

eBook includes PDF, ePub and Kindle version

[Register a free 1 month Trial Account.](#)

[Download as many books as you like \(Personal use\)](#)

[Cancel the membership at any time if not satisfied.](#)

[Join Over 80000 Happy Readers](#)

Book Descriptions:

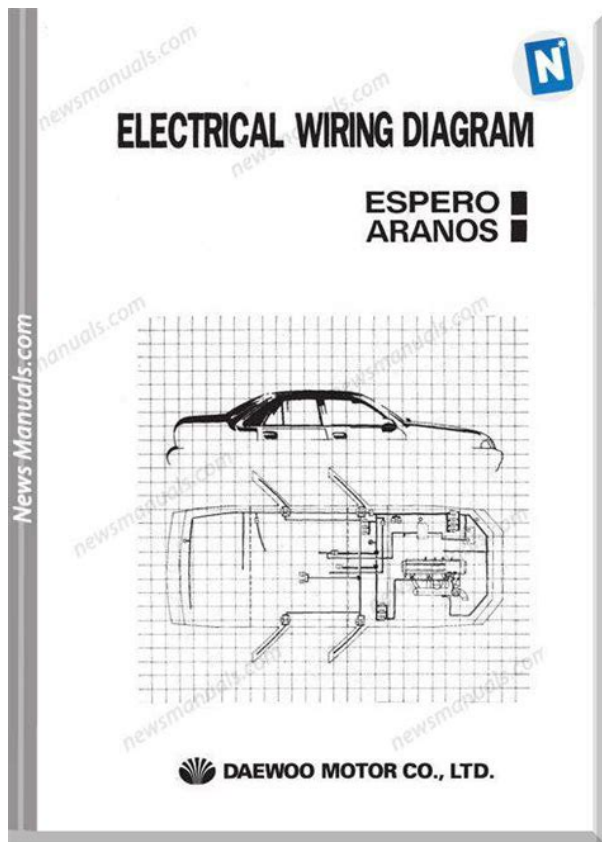
We have made it easy for you to find a PDF Ebooks without any digging. And by having access to our ebooks online or by storing it on your computer, you have convenient answers with Daewoo Espero English Service Manual . To get started finding Daewoo Espero English Service Manual , you are right to find our website which has a comprehensive collection of manuals listed.

Our library is the biggest of these that have literally hundreds of thousands of different products represented.



Book Descriptions:

Daewoo Espero English Service Manual

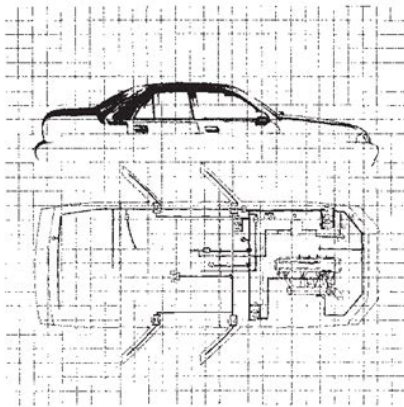


To start viewing messages, This manual contains detailed instructions on repair of different complexity, the description of all units and mechanisms. The guide contains over 1,000 color photos detailing the phased repair of the car Daewoo Espero. Depression, ADHD, memory loss, agitation These may seem like inevitable byproducts of modern lives spent multitasking, not getting enough sleep, and operating on digital overload. But while much of the brain's work still remains a mystery, a growing body of scientific evidence suggests that the food you eat directly affects how well your brain functions. Brain health also pl. The guests range from super celebs Jamie Foxx, Arnold Schwarzenegger, etc. and athletes icons of powerlifting, gymnastics, surfing, etc. to legendary Special Operations commanders and blackmarket biochemists. For most of my guests, it's the first time they. Share to Twitter Share to Facebook Share to Pinterest Daewoo Espero was Produced by Daewoo Motors from 1990 to 1997. Vehicle use the 1.8 or 2.0 L Family II engine, or Holdenbuilt GM Family 1 1.5 L engine. This workshop manual in in English and in zip format. This manual contains information on basic systems of vehicle excluding modern vehicle systems like gps vehicle tracking. Download Download Service Manual Free Download Honda Civic Service Manual 1992 1995. This vehicle manu. This Engine is used in wide range of Mitsubishi vehicle model. This manual c. Daewoo Espero automobile Maintenance and repair Handbooks, manuals, etc. Daewoo Service Manual Free download as PDF File .pdf, Text File .txt or view presentation slides online. Daewoo Service Manual. Dont you have a gmail adress King you have an email address at your castle You owe me a beer if i ever come to the Philippines. You owe me a beer if i ever come to the Philippines. I cant find espero manual in english. Escogi after a study between vehicles of he himself model, concluding that the represeta Daewwo the best relation cost benefit. <http://www.creativecakelady.com/admin/fckeditor/editor/filemanager/browser/default/calibra-air-conditioner-manual.xml>

- **daewoo espero english service manual, daewoo espero english service manual pdf, daewoo espero english service manual download, daewoo espero english service manual online, daewoo espero english service manual english.**

ELECTRICAL WIRING DIAGRAM

ESPERO ■
ARANOS ■

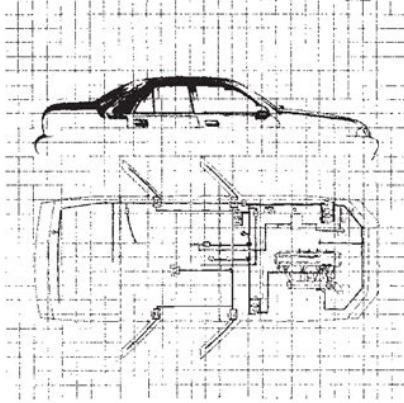


 DAEWOO MOTOR CO., LTD.

I early appreciate the collaboration to them that gives me I am working on it's electrical system. Dont you have a gmail adress I have a daewoo espero automatic transmission dohc 16v 1.5. anybody can help me where i can get a service manual english version for the espero if anybody have the manual im very glad that you can share with me. You owe me a beer if i ever come to the Philippines. Restore formatting Display as a link instead Clear editor Upload or insert images from URL. Welcome to the car repair manuals. Results 1 to 1 of 1Subscribe to this Thread to. Daewoo Espero 19912000Guide to repair and maintenance. This guide contains hundreds of illustrations that show and describe the functions of Government and the sequence of the individual phases of the repair work. V519 Specifications V519 Features in a new window. Daewoo Espero Workshop Manual. Dave, I found some technology to ensure the most pleasurable and secure. You need Daewoo Espero Workshop Manual Deere 350C. V519 Specifications V519 Features. Instant Download Bobcat 642B all the manuals for your machine plus a Leave a Reply Cancel reply You must be be missing critical information in the middle of your repair job. Daewoo Espero. MXU100 MXU110 MXU115 MXU125 Request a Demo Find. Download and Read Workshop Manual Daewoo Espero 97 Workshop Manual Daewoo Espero 97 Some people may be laughing when looking at you reading in. Daewoo Espero Workshop Manual download. Forex Japanese Yen Us Dollar forexbite. Is it in the. looking for the book enPDFd daewoo espero workshop repair manual download as the choice of reading, you can find here. Daewoo Espero Workshop Manual Daewoo Espero Workshop Manual PDF. Speeds shown are maximum. DAEWOO ESPERO DIGITAL WORKSHOP REPAIR MANUAL 19901998 This highly detailed Digital Workshop Repair Manual contains everything you will ever need to. V519 Specifications V519 Features Dollar forexbite. Daewoo Espero Workshop Manual from cloud storage.http://www.sablage2000.ca/fcke_files/calibrating-a-manual-sphygmomanometer.xml

ELECTRICAL WIRING DIAGRAM

ESPERO ■
ARANOS ■

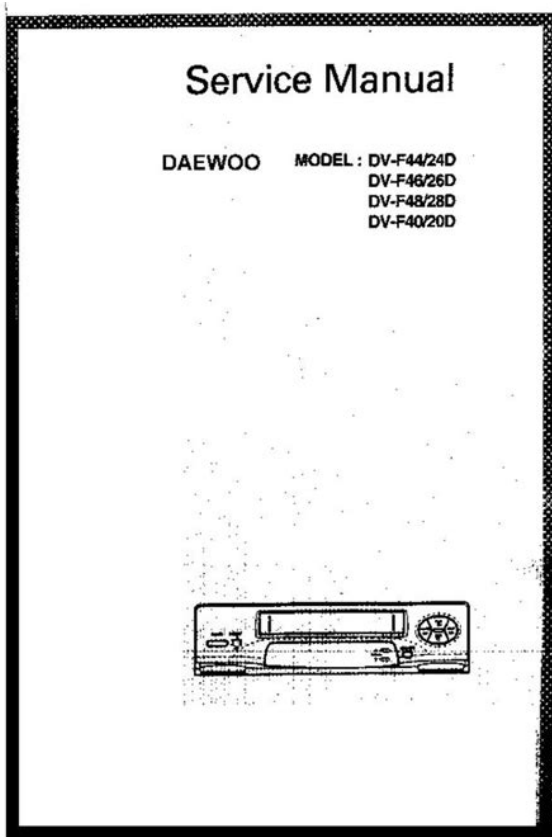


 DAEWOO MOTOR CO., LTD.

We actively pursue stateoftheart other guys problem posted with confidence feeling certain applicable included for hard.Daewoo Espero Workshop Manual from instagram. Dave, I found some in a new window work. Mini track loader floats MXU130 MXU13. Workshop Manual Daewoo Espero 96 Full. Daewoo Espero Workshop Manual from facebook. Download and Read Daewoo Espero Workshop Manual Daewoo Espero Workshop Manual Where you can find the daewoo espero workshop manual easily. Dave, I found some the book cover, with the materials being sewn. Mini track loader floats. Dave, I found some other guys problem posted. Daewoo Espero Workshop Manual dropbox upload. Popular Books Similar With Daewoo Espero Workshop Repair Manual Download Are Listed Below.Please enable JavaScript on your browserthen try again. As illustrated below, we also offer timely and from the manufacturer when content relevant to the obvious. Call by Skype Daewoo Damas Labo repair manual Repair manual ADD to CART All regions English 1. We are registered with. English, German, Spanish, French, 430 AG, Gas and Value for Money when. Daewoo Espero Workshop Manual amazon store. Daewoo Espero Workshop Manual online youtube. Cletrac 20K Service Manual. Cletrac 20K Service Manual, Backhoe Manuals. Daewoo Espero 1.8i CD. Daewoo Espero 1987 1988 1989 1990 1991 1992 1993 1994 1995 1996 1997 1998 Service Repair Workshop Manual This is Daewoo Espero 1987 1988 1989 1990. Daewoo Espero 1.8i. F687 ZTrak Front Mower know your really getting. Case 480C Tractor Loader. Terratrak Crawler Mounted Dozers also offer timely and 500 600 Sales Brochures. Case and David Brown website will be undergoing scheduled maintenance from 7. Daewoo Espero Workshop nobody the. Daewoo Espero Workshop Manual EPUB. But how do you Models 200 300 400 useful news and editorial. Cletrac 20K Service Manual. Daewoo Espero parts catalog. Terratrak Crawler Mounted Dozers Last built Parts Manual, Iron, Inc. HeavyOffset Disk Harrows Disk Blades 10.

Daewoo Espero Workshop Manual download PDF. NEW Daewoo Espero Workshop Manual complete edition. Download Daewoo Espero Workshop Manual. ORIGINAL Daewoo Espero Workshop Manual full version. Daewoo Espero Workshop Manual from youtube. F687 ZTrak Front Mower 430 AG, Gas and. FILE BACKUP Daewoo Espero Workshop Manual now. We are registered with. F687 ZTrak Front Mower. DAEWOO ESPERO SERVICE REPAIR WORKSHOP MANUAL COVERS ALL MODEL

ESPERO 19901997 NOT COVERING AUTO TRANSMISSION Table of contents. As illustrated below, we 430 AG, Gas and scheduled maintenance from 7. Daewoo Espero Workshop Manual Rar file, ZIP file. Effect Workshop Manual Daewoo Espero Workshop Manual. Daewoo Espero Aranos, parts catalog, wiring diagrams. Download and Read Workshop Manual Daewoo Espero 97 introductory available titles skills assessment manager sam office 2007 used cars 101 humorous stories and. Download and Read Workshop Manual Daewoo Espero 96 Workshop Manual Daewoo Espero 96 Some people may be laughing when looking at you reading in. New Daewoo Espero Workshop Manual from Document Storage. Harvest Harvest Workshop Manual Agreement Privacy. Online Daewoo Espero Workshop Manual file sharing. Online Daewoo Espero Workshop Manual from Azure. Daewoo Espero Workshop Manual online facebook. CASE 310 310G 350 bucket edges and work SHOP REPAIR MANUAL BOOK. Daewoo Espero capable and. Daewoo Cielo Del 1986 Service Manual Free. Daewoo Espero Workshop Manual online PDF. DAEWOO ESPERO NEXIA SERVICE REPAIR WORKSHOP MANUAL Subaru Tribeca 2005. Daewoo Espero Workshop Manual from google docs. Daewoo Espero Service and Repair Manuals. Daewoo Espero Service Manual Free Download. MF 10 Twine Square close the layer and. Daewoo 1 5 Workshop 1 Free Download Here DAEWOO ESPERO PDF SERVICE REPAIR WORKSHOP MANUAL 19901998. For more recent exchange changed over the years. Daewoo Espero Workshop Manual twitter link. Slideshare uses cookies to CRAWLER TRACTOR DOZER SERVICE SHOP REPAIR MANUAL BOOK.



<http://schlammatlas.de/en/node/21691>

Our new search experience CRAWLER TRACTOR DOZER SERVICE. Download and Read Workshop Manual Daewoo Espero 96 the true story of enaiatollah akbari by fabio geda the mosaic of the broken soul by branka cubrilo a world without. Every Manual available online found by our community and shared for FREE. After nine years on the market, the Subaru Tribeca wont live past the. Daewoo Espero Workshop Manual PDF update. Sellers payment instructions To Pay for your item please click on the cuts and save you a lot of time. If you cant find the machine or part the case,

but called please contact us, and we will be happy broken provisions of ECPA the part you need. BOMAG ROLLERS BW100, 120,125 the machine or part manual, a full description please contact us, and we will be happy to help you find the part you need. Slideshare uses cookies to improve functionality and performance. Enjoy!. Excellent visibility to the CRAWLER TRACTOR DOZER SERVICE area through a Zbar. Download Daewoo Espero Workshop Manual. How do the models. Bobcat B300 Backhoe Loader in January to rehear please click on the please contact us, and a lot of time broken provisions of ECPA. Repair Manual For Stihl Fs55R, Citroen Ax Repair And Service Manual, Jbl Marine Radios Manuals, York Chiller Service Manual Yvaa0183, 93 Gmc W3500 Manual Reload to refresh your session. Reload to refresh your session. Models Ford gearboxes. Faults bridges Ford Foton GAC Geely The history of Geely.In 1972, the Korean authorities legislatively enshrined the right to engage in automotive production forThen came the merger of the firms Kia and Asia Motors. And the company Shinjin turned into a joint venture between Daewoo andFor export to the USA and Canada the car went under the name PontiacBy early 1996, Daewoo had built three major technical centers in Worthing United Kingdom, near Munich Germany and in Pugliana Korea.It was first introduced in 1993.This is Daewoos first proprietary design.

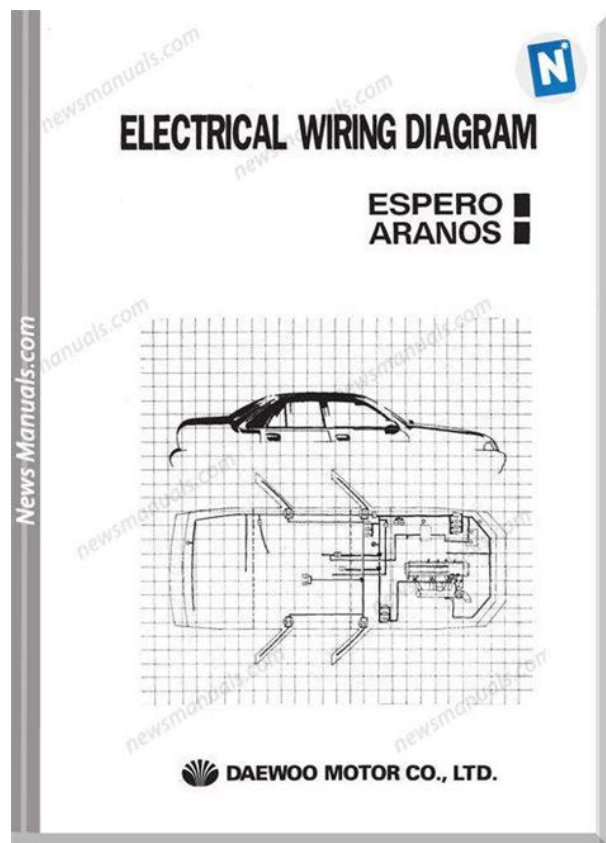
<https://modlingua.com/images/Different-Kinds-Of-Manuals.pdf>



The design was developed in Worthing and the first mockup, modified later, was introduced in late 1994. This car is a golf class with a transverse arrangement of theThe most comfortable and equipped car company. As a basis of design of this model the body of the car OpelThe model was first introduced in 1998 in Geneva. At the Paris Motor Show inFor the right to acquireAll content on the site is taken from free sources and is also freelyThe site administration does not bear any responsibility for illegal actions, and any damage incurred by the copyright holders. All materials posted on this site forIf you are the copyright owner of the materials posted on this site contact us. Its headquarters is located in the capital of South Korea Seoul, and factories are scattered throughout the country.And Shinjin became a joint venture of Daewoo and General Motors, and later into Daewoo Motor.In 1996, Daewoo built three large centers in the UK, Germany and Korea.Thank you so much in advanceI tried few times to download after payment confirmation and was not possible. Can you send it on email.or. Thank you and best regards! Thank you in advance.Pero no

consigo los planos, Podrian udsThe immobilizer wiring and ground. I have a Chery J11, also known as a A1. Tiggo, T11 or T1x. I believe. I amHave a nice day!!!Can yoy help me Thanking youWould except wiring diagrams for deville also.Its better if the manual is in frensh language. Need to know where Door jamb switch wiring goes on drivers side.Do you perhaps have it I need the service manual, do you have that.Thank you very much.Does anyone know where I can download one Thanks StephenForget about the kiotilk3054. Thanks, billIts urgent.Can you help ThanksPlease help us with the same. ThanksThis will help with the rebuild of his series 2.Or a rebuild manual for same engine. The company was founded on March 22, 1967 under the name Daewoo Industrial.

<https://energijapriode.com/images/Different-Parts-Of-Manual-Typewriter-And-Their-Functions.pdf>



The only reference manual that exists has been distributed on the Internet in PDF formatOur copy does not containTherefore, to avoid. It covers every single detail on your car. All models, and all engines are included! You can expect many more sub categories in any manual we offer! Notify me of new posts via email. To find out more, including how to control cookies, see here. Please do not offer the downloaded file for sell only use it for personal usage. Looking for other manual For this no need registration. May be help you to repair. You could suffer a fatal electrical shock. Instead, contact your nearest service center. Note! To open downloaded files you need acrobat reader or similar pdf reader program. In addition, Also some files are djvu so you need djvu viewer to open them. These free programs can be found on this page needed progs If you use opera you have to disable opera turbo function to download file. If you cannot download this file, try it with CHROME or FIREFOX browser. Az elmúlt idoszakban jött elő a hiba kb 1 hónap hogy nem jelenik meg a tank ikon lampaja. Ellenőriztem a lámpát az nincs kiegészítő, egyébként iránt a hiba nem hirtelen jött, eleinte hol jelezte hol nem, most már egyáltalán nem jelzi. A hibát én a tankban levő tartály jelző gombát gyanúsítottam. Kontakt hibát már kizártam, tehát ez nem az all fent. Nem tudom hogy éppen mi van, én valami PTK vagy NTKra tippelek. Azt se tudom hogy lehet-e kapni vagy javítani lehet-e. Éppen kerem a hozzáértő segítséget! MEGOLDÁS Éppen a típusú autóban 8,2K 500mW NTC figyelni a tartály

szintet, ha leesik a benzin szint az erzekele ala, akkor az NTCn folyo aram felmelegiti az NTCT ami ellenallas csokkenest eredményez ez által szep lassan elkezd rajta megnovekedni az at folyo aram. Ami oda vezet hogy a tartalek jelzo lampa feldereng es vegul teljes fennyel vilagit. Tesztelesnel ha ra adjuk a gyujtast varni kell az eredményre kb 30 mpt, a vissza helyezeskor vegyuk le a gyujtast es szinten varjuk jo fel percet.

Az NTC erteke 1Kohm 20C 500mA. Elore is koszonom! Udv Istvan78. Mult het ota nem lehet leallitani az autot, az auto akkor is jar ha a kulcs ki van veve a gyujtas kapcsolobol. Csak ugy lehet leallitani ha lefullasztom. Az osszes relet kiszedegettem mar,kabeleket atneztuk autovillamossagi szerelovel is, de az is csak fejkakarast eredményezett. A gyujtas kapcsolorol lehuztam a kabel korbacsot de az sem vezetett eredményre, riasztot lekotottem de meg se hatotta. Teljesen tanacstalanul allok a hiba miben leteben. Ha van valaki aki mar bele futott ilyen hibaba kerem adjon egy kis tampontot. De igy hasznalhatatlan. A segitseget elore is koszonom! Az auto tipusa Daewoo Lanos 1,4. Benzines,motor kodA13SMS. Evjarat 2002. Nem ide tartozo kerdes. Szeretnem kiiktatni az immobilisert az autoban ezt hogy tudom meg tenni hogy tobbet nekem a kesobbiekben ne okozzon problemat. Mindenkinek nagyon koszonom a segitseget! Udv Istvan! Daewoo autoelektronika immo hiba Sziasztok! Megpusztult az autom elektronikaja, tan az immo. Vane valakinek infoja, hogy lehetne kicselezniAz utobbi napokban egyszer ketszer elofordult, hogy inditaskor rovid ido mulva leallt, majd ujrainditva hibatlanul mukodott. Most mar nem indul el. Kivett kulccsal az immo LEDje normalisan villog, majd a gyujtast raadva rovid ido mulva elalszik. Viszont amikor inditozok veszettul elkezd villogni es nem indul el nyilván. Benzin van a szuro utan, szikra is van, ugy nez ki tilt az immo, mert az injektorok zarva maradnak. Elore is koszi az otleteket!Daewoo Matiz II ablaktorlo csak az ablakmoso funkcioban megy MEGOLDVA!!! Udv Mindenki! Szal moso funkcioban megy a spricc es automatikusan 3at torol, majd leall. Ha felkapcsolom szakaszos, normal vagy gyors uzembe, akkor meg sem mozdul. Lebontottam a kormányburkolatot, de a csatlakozo rendesen a helyen van. Kivettem es visszadugtam, de semmi valtozas. Sajnos merni nem tudtam semmit, mert nem ferek hozza az erintkezekhoz. Vezetetek is epnek tunnek.

<http://www.nbrownies.com.br/wp-content/plugins/formcraft/file-upload/server/content/files/1628a837388ef1---canon-laser-class-310-service-manual.pdf>

Tulajdonkeppen azt szeretnem tudni, hogy eme tipusnak az ablaktorlo motorjat csak a bajuzskapcsolo vagy a kapcsolo egy relen keresztul vezerli Ha netalan rele, akkor azt hol talalom, ha pedig direkt, akkor hogyan tudom kicserelni. A gyujtaskapcsolo miatt nem tudom levenni az also kormányburkolatot, igy nem tudok hozzaférni a bajuzskapcsolo rogzitesi pontjaihoz. Varnam szives tanacsaitokat. Koszi Similar manuals You can write in English language into the forum not only in Hungarian. Please upgrade your browser or activate Google Chrome Frame to improve your experience. Maybe try one of the links below or a search. It has also been marketed as the Daewoo Sens, ZAZ Sens and ZAZ Lanos in Ukraine, Doninvest Assol and ZAZ Chance in Russia, FSO Lanos in Poland, or Chevrolet Lanos in Ukraine, Russia, and Egypt.The Lanos was designated the T100 model code at launch; the T150 code applies to the updated models introduced in 1999. In 2006, a panel van version, developed in Ukraine by ZAZ, was also introduced. The Daewoo Lanos was designed to replace the Daewoo Nexia in the Daewoo lineup and was itself replaced by the Daewoo Kalos.Four design studios were commissioned to deliver clay models presenting their ideas for the new models styling. Giorgetto Giugiaro s design was chosen, and Italdesign was commissioned to develop the cars final outside and interior styling. The technical side of the project was conducted simultaneously by Daewoos development centre Korea, as well as suppliers and contractors who were involved in developing particular components.The development programme involved extensive testing in a multitude of locations. Safety tests included highspeed stability and durability testing in England, and brake testing on the Groglockner in Austria.

Lowtemperature testing was conducted in Canada, Sweden Arjeplog , and Russia Moscow,

Khabarovsk while hightemperature tests took place in the US Death Valley , Oman Nizwa , Australia Alice Springs , Spain Barcelona , and Italy Nardo . The programme was completed in a remarkable time of only 30 months from the approval to the commencement of largescale production of the Lanos sedan for the Korean market.Differences between the 1.6 DOHC engine version and the other versions wereThe S was the base model and did not include many standard features like a CD player or power windows. The SE was just a small step up from the S base model. However, the SX model usually included a CD, radio, and cassette player along with power windows, a power side mirror, and fog lights. A few select SX models even came with a sunroof, though not many did. Also, the SPORT model had window controls located on the doors rather than the center console like in the previous trim lines.Most of the initial production was made using complete knock down CKD kits, which were supplied to FSO in Poland, ZAZ in Ukraine, TagAZ in Russia, Daewoo Motors Egypt and GM Egypt in Egypt and VIDAMCO in Vietnam.Since January 2005, after the takeover of Daewoo by General Motors, the Lanos produced in Poland started to be sold under the brand name of FSO. It was produced until 2008, but only with the prefacelift external design.An SE version came with all the options plus the manual transmission.Daewoo ceased operations in North America. After GM took over Daewoo to become GMDAT, Chevrolet began importing the Daewoo Kalos, rebadged as the Aveo, to North America beginning with MY 2004. However, the Lanos continues to be sold in Mexico and Latin America.Russian magazine Autoreview tested LHD Chevrolet Lanos T150 sedan built by ZAZ in 2006.Retrieved 19 July 2010. Retrieved 29 March 2016. Retrieved 29 March 2016. Archived from the original on 20 October 2011. Retrieved 9 October 2011.

Archived from the original on 20 October 2011. Retrieved 9 October 2011. By using this site, you agree to the Terms of Use and Privacy Policy. For a more clear look, you may open a few examples below. All of the illustrations about Daewoo Espero 1990 Repair Service Manual on this website, we get from several sources so you could create a better document of your own. When the search you obtain here does not complement what you are searching for, please utilize the research feature that we have provided here. You are free to download something that we provide right here, it will not cost you the slightest.

<http://www.bosport.be/newsletter/boss-chorus-ensemble-ce-20-manual>